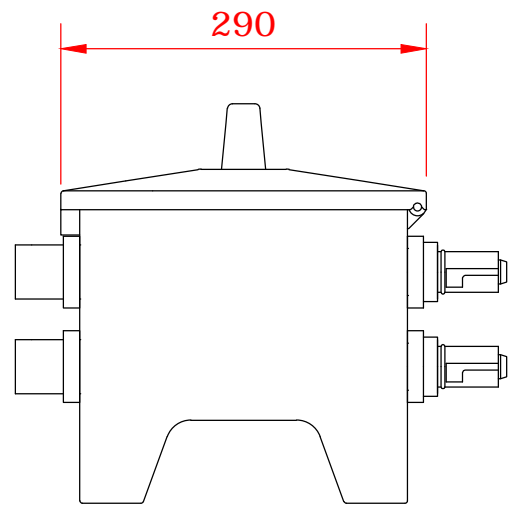
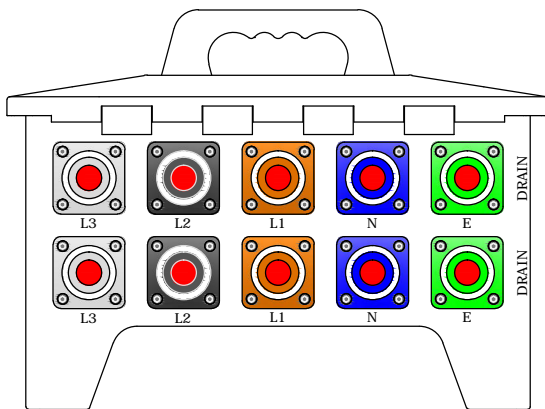


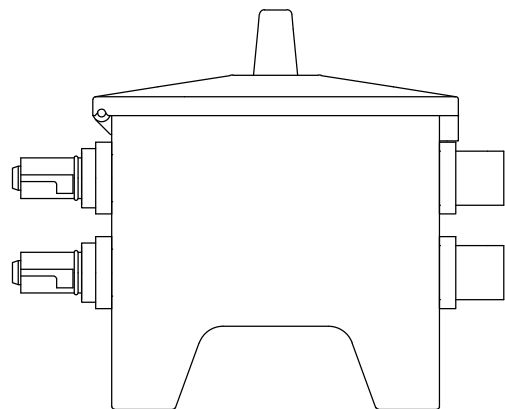
FRONT



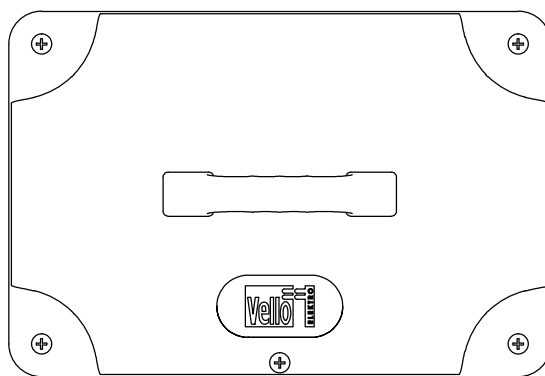
RIGHT



BACK



LEFT



TOP



Vello Elektro BV  
 Typograaf 14  
 6921 VB Duiven NL  
 +31(0)316 251500

Project:

V40.2.0182-D

A4

				Date	Name	Material: Rubber	Frame: -	Page 1
			Design	16.02.2018	EP	Type: V40		
			Check			V40.2		Of 1
			Adjustment					
NR.	Modified	Date	Name		Scale 1:5	Measurements in mm	Weight ca. 13 Kg	