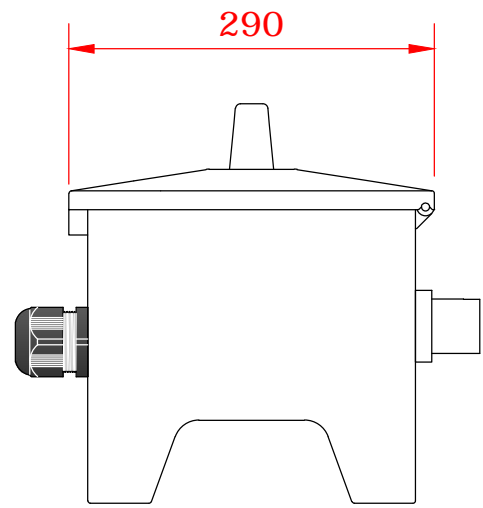
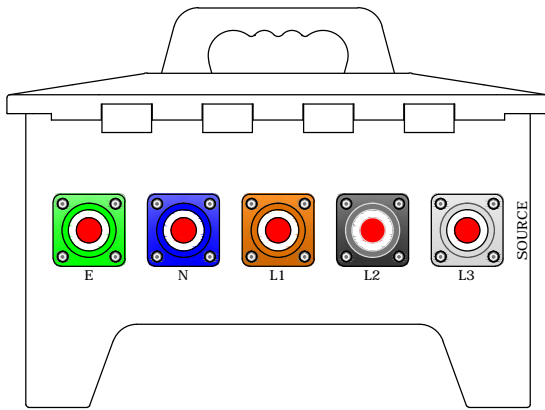


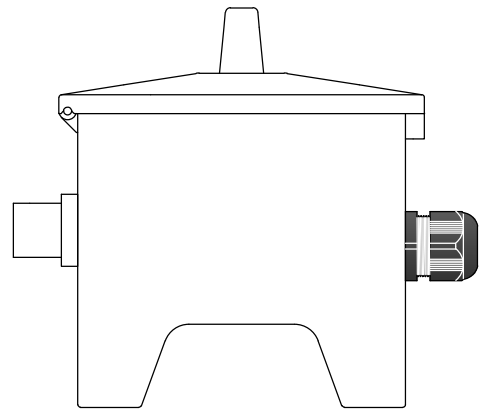
FRONT



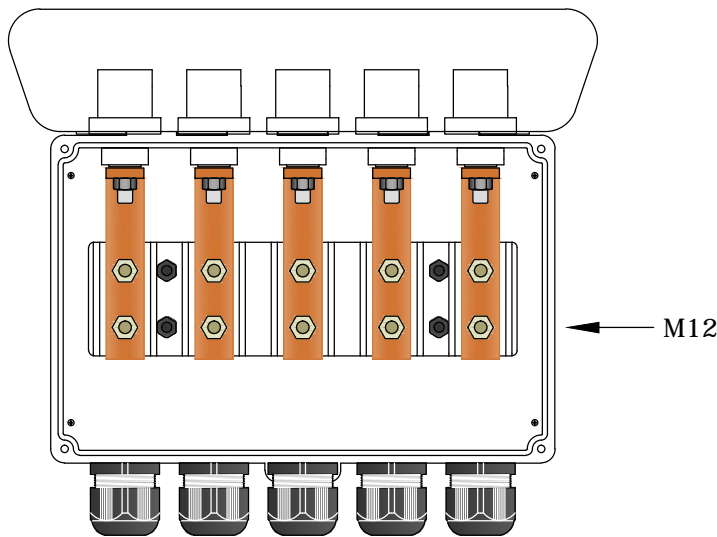
RIGHT



BACK



LEFT



INSIDE



Vello Elektro BV
 Typograaf 14
 6921 VB Duiven NL
 +31(0)316 251500

Project:

 Date
 Design 28.05.2018
 Check
 Adjustment

V40.2.0144-D

A4

| | | | | | | | | |
|--------------|------|------|--|------------|--------------------|------------------|----------|------|
| | | | | Date | Name | Material: Rubber | Frame: - | Page |
| | | | | 28.05.2018 | EP | Type: V40 | | 1 |
| | | | | | | V40.2 | | Of |
| | | | | | | | | 1 |
| NR. Modified | Date | Name | | Scale 1:5 | Measurements in mm | Weight ca. 13 Kg | | |