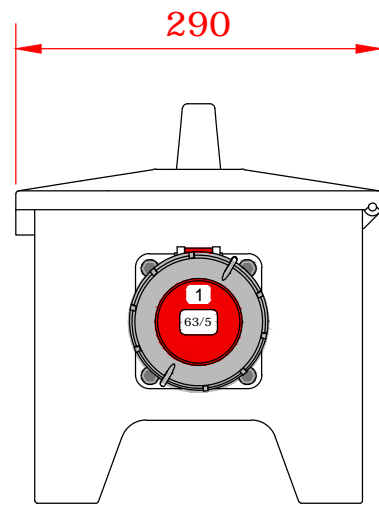
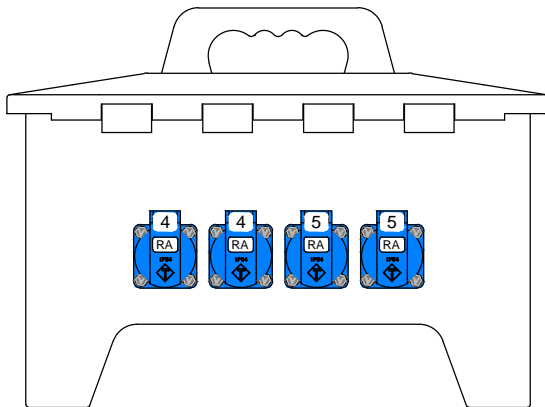


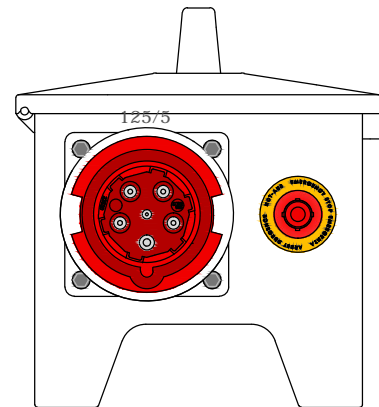
FRONT



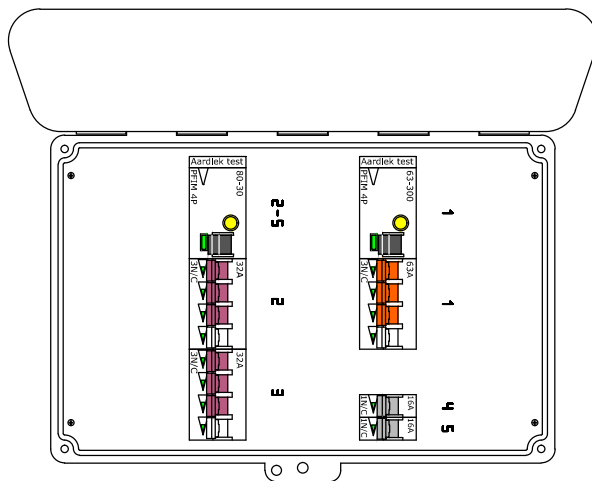
RIGHT



BACK



LEFT



INSIDE



Vello Elektro BV
 Typograaf 14
 6921 VB Duiven NL
 +31(0)316 251500

Project:

V40.2.0055-D

A4

| | | | | | | | | |
|-----|----------|------|------------|------------|-----------|--------------------|------------------|-----------|
| | | | | Date | Name | Material: Rubber | Frame: - | Page 1 |
| | | | Design | 25.09.2018 | EP | Type: V40 | | |
| | | | Check | | | V40.2 63A | | Of 1 |
| | | | Adjustment | | | | | |
| NR. | Modified | Date | Name | | Scale 1:5 | Measurements in mm | Weight ca. 13 Kg | |