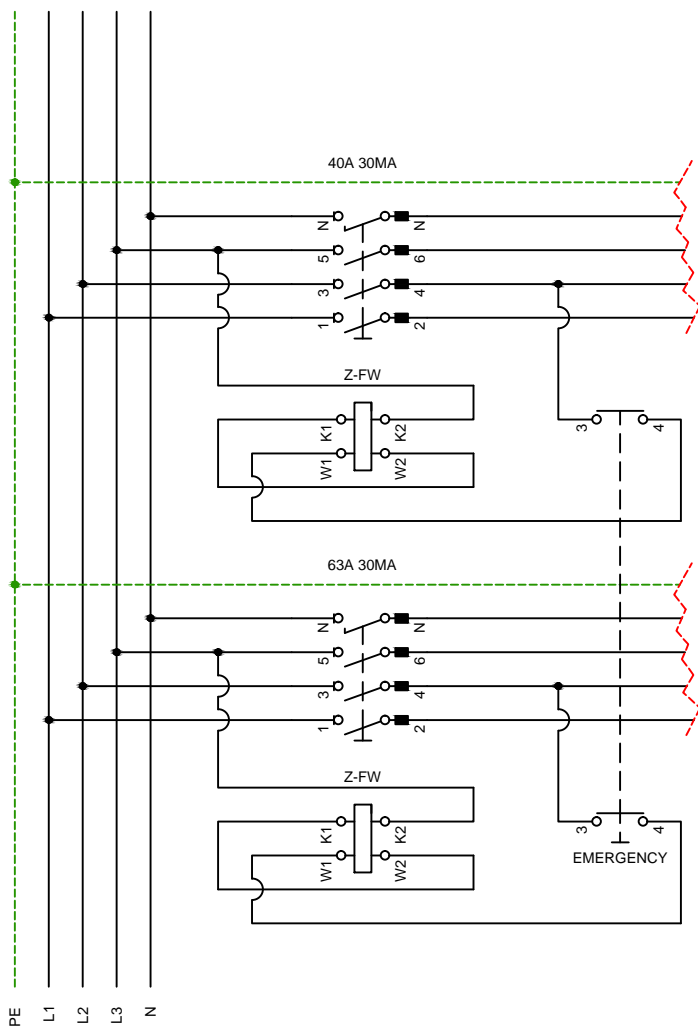


Vello Elektro BV
 Typograaf 14
 6921 VB Duiven NL
 +31(0)316 251500

V40.2.0052-S

A4

InA	63A	Date	Name	Remarks	Page
U _{nA}	400V	18.07.2018	EP		1
f _n (AC)	50hZ				Of 2
RDF	0,7				
Internal wiring H07V-K unless otherwise noted		According to NEN-EN-IEC-61439			



Vello Elektro BV
 Typograaf 14
 6921 VB Duiven NL
 +31 (0)316 251500

V40.2.0052-S

A4

Parameter	Value	Design	Date	Name	Remarks
I_{nA}	63A		18.07.2018	EP	
U_{nA}	400V	Design			
f_n (AC)	50hZ	Check			
RDF (temporary)	0,6	Adjustment			
Internal wiring H07V-K unless otherwise noted		According to NEN-EN-IEC-61439			

Page
2

Of
2