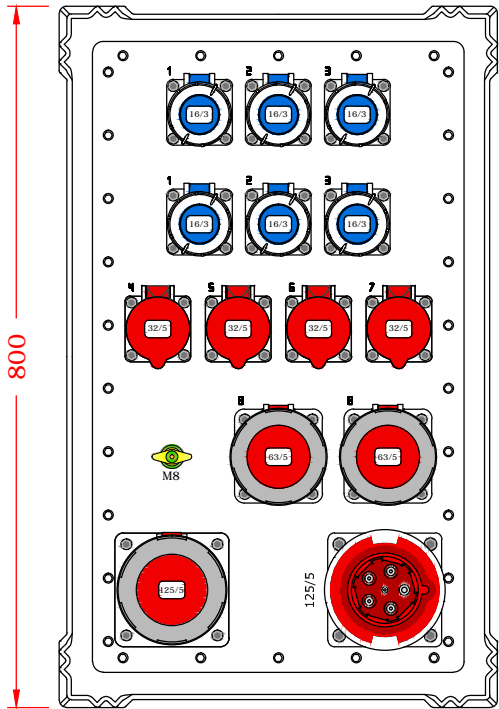
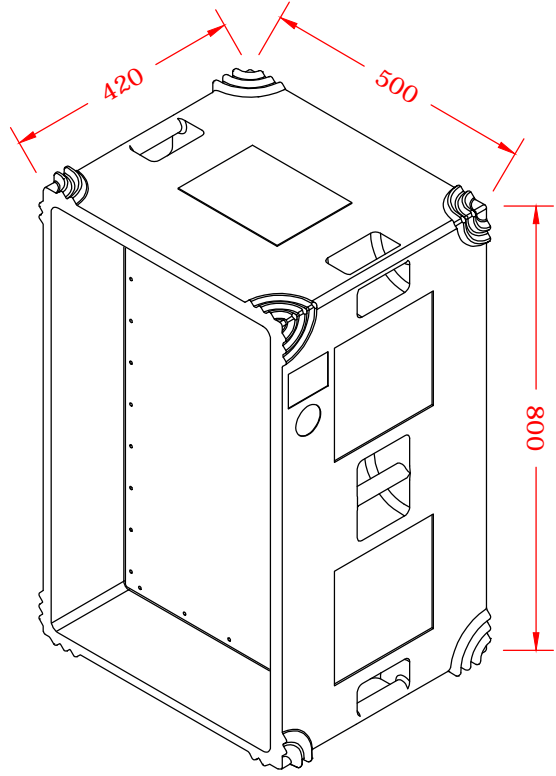
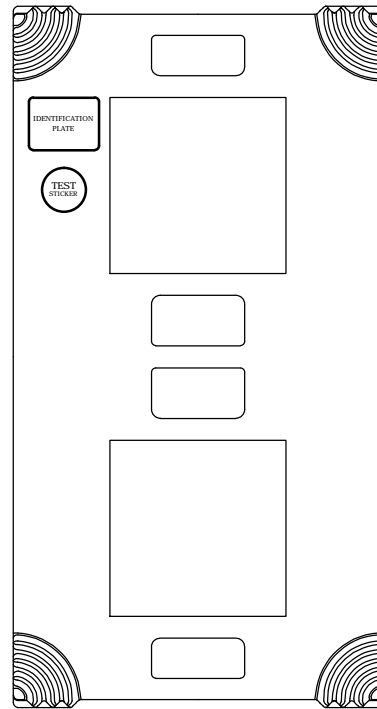



FRONT



BACK



RIGHT

	Vello Elektro BV Typograaf 14 6921 VB Duiven NL +31(0)316 251500			Project:			<b>V45.80.0542-D</b>		<b>A4</b>
				Design	Date	Name	Material: PE	Frame: N.V.T	Page
			Check	19.06.2018	EP	Type: V45		<b>1</b>	
			Adjustment			<b>V45.80 125A</b>		Of	
NR.	Modified	Date	Name	Measurements in mm			Scale 1:8	Weight ca. 40 Kg	<b>1</b>