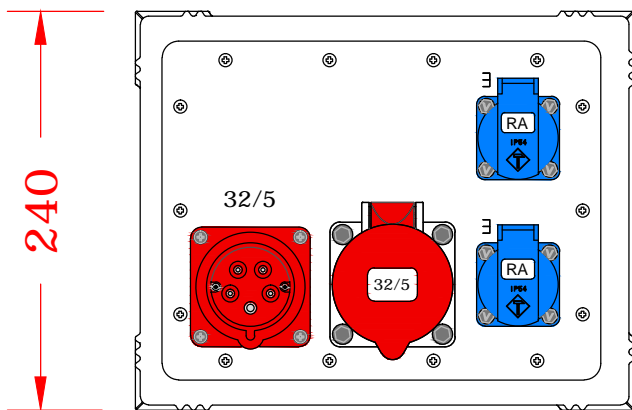
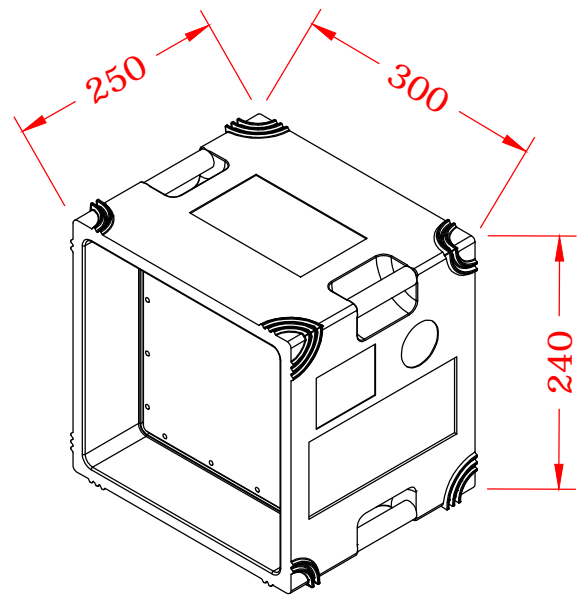
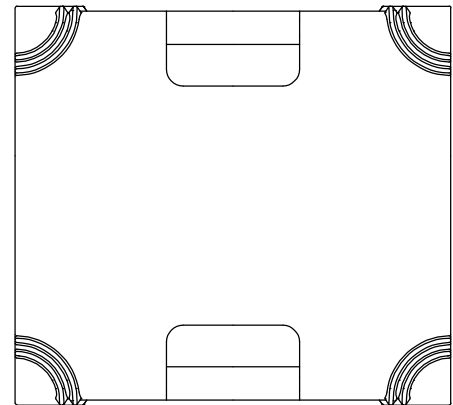



FRONT



BACK



RIGHT

	Vello Elektro BV Typograaf 14 6921 VB Duiven NL +31 (0)316 251500		Project:		<b>V45.10.0034-D</b>		<b>A4</b>	
	Date	Name	Material: PE	Frame: N.V.T				
Getekend	09.05.2017	EP	Type: V45	<b>V45.10 32A</b>		1 P.		
Gecontroleerd	Norm	Scale 1:7	measurements in mm					Weight ca. 5 Kg
NR.. Modified	Date	Name	Scale 1:7	measurements in mm	Weight ca. 5 Kg	1 P.		